

APA 90/110

ADD-ON COMPACTOR

APPLICATIONS

- Add-On Compactor for excavators from 12- to 40-tonnes
- Pipeline construction
- Development areas
- Slope and hillside compaction
- Confined work spaces
- Structure backfill work
- Landfill
- Track construction



PRODUCTIVITY

The APA provides **high compaction power** and quickly processes multiple material types, especially on **slopes and grades** where compaction by other means would be challenging and often unsafe.

ERGONOMICS

Construction crews appreciate the **hazard-free operation** of the add-on compactors, which allows them to work at a safe distance from risk areas, while the **quick coupling** mechanism streamlines attachment changes, enabling seamless transitions between tasks.

SERVICEABILITY

As add-on compactors use the power supply of the excavator and comes with simple maintenance routines.

SUSTAINABILITY

The compactors are as sustainable as the host machine. The compactors have **no direct CO₂** footprint. In other green areas, the **durable design** and long life make the compactors environmentally friendly.

STANDARD EQUIPMENT

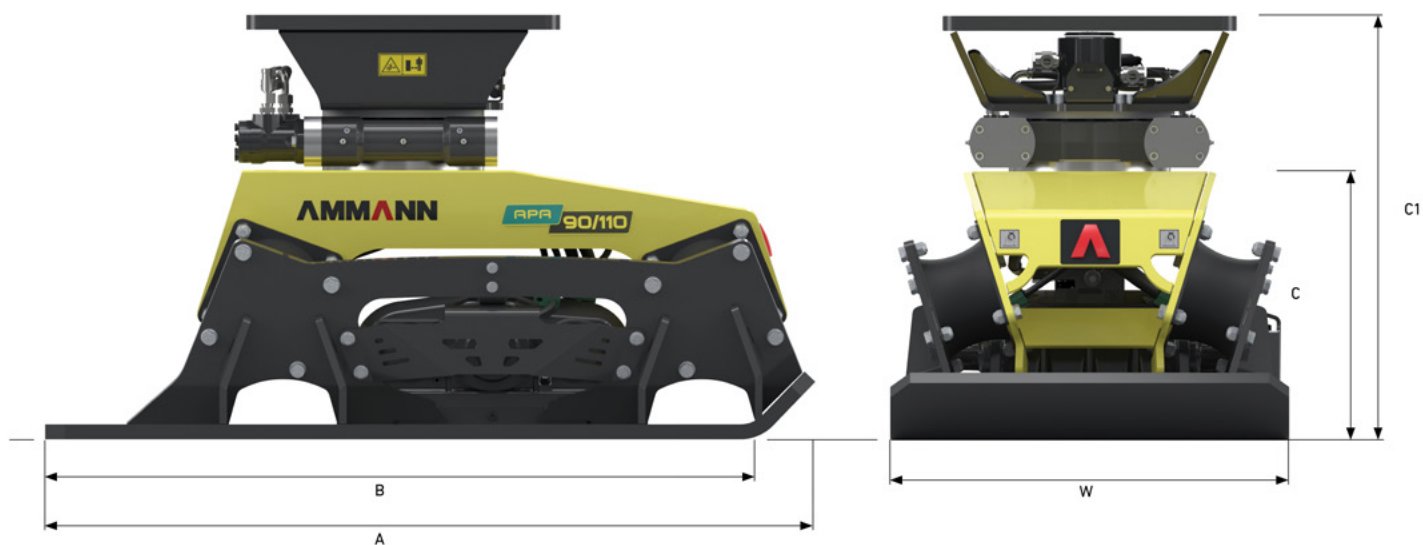
- 2 operating modes
- Version with hydraulic worm gearbox
- Triple-shaft exciter
- Highly durable rubber shock mounts
- Universal adapter plate for fast changes

OPTIONAL EQUIPMENT

- Without gearbox rotator
- Quick coupling connection and Hydraulic connections for multiple systems



APA 90/110



WEIGHT & OPERATING CHARACTERISTICS

APA 90/110	/800	/940	/1100
MACHINE WEIGHT (MECH.)	1000 kg (2205 lb)	1047 kg (2308 lb)	1106 kg (2438 lb)
MACHINE WEIGHT (HYD.)	1093 kg (2410 lb)	1140 kg (2513 lb)	1199 kg (2643 lb)
MACHINE WEIGHT (HYD+UNIV.)	-	-	-
A LENGTH	1544 mm (60.8 in)	1544 mm (60.8 in)	1544 mm (60.8 in)
B BASE PLATE LENGTH	1395 mm (54.9 in)	1395 mm (54.9 in)	1395 mm (54.9 in)
C HEIGHT	539 mm (21.2 in)	539 mm (21.2 in)	539 mm (21.2 in)
C1 HEIGHT (HYD.)	850 mm (33.5 in)	850 mm (33.5 in)	850 mm (33.5 in)
DIAMETER	1800 mm (70.9 in)	1860 mm (73.2 in)	1940 mm (76.4 in)
W WIDTH	800 mm (31.5 in)	940 mm (37 in)	1100 mm (43.3 in)
RECOMMENDED CARRIER SIZE	12 - 40 t (26 455 - 88 185 lb)	12 - 40 t (26 455 - 88 185 lb)	12 - 40 t (26 455 - 88 185 lb)

COMPACTION FORCES

MAX. VIBRATION FREQUENCY	40 Hz (2400 VPM)	40 Hz (2400 VPM)	40 Hz (2400 VPM)
MAX. CENTRIFUGAL FORCE	90 kN (20 233 lbf)	90 kN (20 233 lbf)	90 kN (20 233 lbf)
MAX. VIBRATION FREQUENCY (2M)	60 Hz (3600 VPM)	60 Hz (3600 VPM)	60 Hz (3600 VPM)
MAX. CENTRIFUGAL FORCE (2M)	50 kN (11 240 lbf)	50 kN (11 240 lbf)	50 kN (11 240 lbf)
SPEC. SURFACE PRESSURE	8,1 N/cm ² (11.7 psi)	6,9 N/cm ² (10 psi)	5,9 N/cm ² (8.5 psi)

MISCELLANEOUS

HYDRAULIC CONNECTIONS	Turn - Forward - Return - Leak - Turn	Turn - Forward - Return - Leak - Turn	Turn - Forward - Return - Leak - Turn
REQUIRED HYDRAULIC PRESSURE	330 bar (4786.2 psi)	330 bar (4786.2 psi)	330 bar (4786.2 psi)
REQUIRED VOLUME FLOW	160 l/min (9763.2 in ³ /min)	160 l/min (9763.2 in ³ /min)	160 l/min (9763.2 in ³ /min)
MAX. RETURN PRESSURE	30 bar (435.1 psi)	30 bar (435.1 psi)	30 bar (435.1 psi)

APA 90/110

For additional product information and services please visit: www.ammann.com

Materials and specification data are subject to change without notice.

MSS-3335-00-EN | © Ammann Group

AMMANN