

# APA 55/46 APA 55/56 APA 55/64

## ADD-ON COMPACTOR

### READY TO OPERATE NOW

The APA 55/46, APA 55/56 and APA 55/64 series is ideal for work with excavators above 4- to 12- tonnes. Their efficient size makes these compactors exceptionally versatile. The Add-On Compactors can be installed quickly with commonly used fast-change systems.

The APA 55/64 is an excellent choice for urban sites thanks to its enlarged 640 mm (25.2 in) base plate.

### PATENTED VIBRATION LIMITATION

- High-resistance rubber shock absorbers cushion vibrations to protect the excavator and operator

### TWIN-SHAFT EXCITER

- High frequency and low amplitude to protect adjacent buildings
- Maintenance-free

### SAFETY

- For work on steep inclines where compaction with a vibratory plate is not safe
- Trench compaction from a safe distance

### THE MACHINE THAT MATCHES

- The Add-On Compactor is compatible with all commonly used fast change systems
- With the matching fast change system, the Add-On Compactor is connected and ready to operate within a few seconds
- Mechanical and hydraulic rotators are available

### RUGGED DESIGN

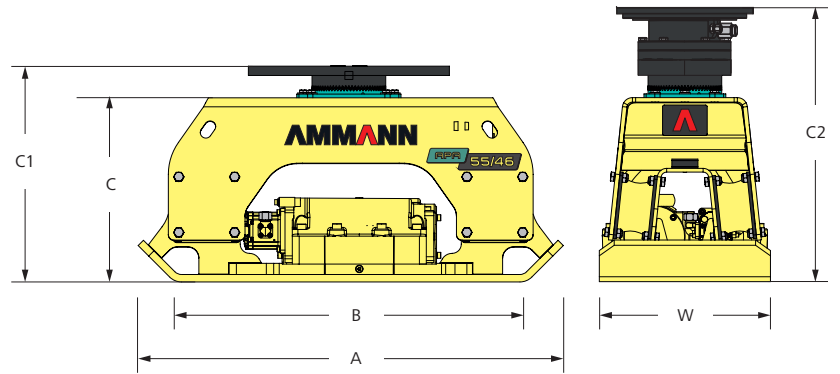
- The housing protects the central exciter unit
- Bearing bushings protect the housing against vibrations and prevent direct contact by metal surfaces under high pressure

### APPLICATIONS

- Add-On Compactor for excavators in the 4- to 12-tonne class
- Pipeline and canal construction
- Slope and hillside compaction
- Confined work spaces, manhole compaction
- Structure backfill work
- Landfill
- Track construction

**AMMANN**

TECHNICAL SPECIFICATIONS  
 APA 55/46, 55/56, 55/64 ADD-ON COMPACTORS



## WEIGHT & DIMENSIONS

	APA 55/46	APA 55/56	APA 55/64
MACHINE WEIGHT	370 kg (816 lb)	385 kg (849 lb)	400 kg (882 lb)
MACHINE WEIGHT (MECH.)	395 kg (871 lb)	410 kg (904 lb)	425 kg (937 lb)
MACHINE WEIGHT (HYD.)	440 kg (970 lb)	455 kg (1003 lb)	470 kg (1036 lb)
A LENGTH	1142 mm (45 in)	1142 mm (45 in)	1142 mm (45 in)
B BASE PLATE LENGTH	947 mm (37.3 in)	947 mm (37.3 in)	947 mm (37.3 in)
C HEIGHT	495 mm (19.5 in)	495 mm (19.5 in)	495 mm (19.5 in)
C1 HEIGHT (MECH.)	580 mm (22.8 in)	580 mm (22.8 in)	580 mm (22.8 in)
C2 HEIGHT (HYD.)	735 mm (28.9 in)	735 mm (28.9 in)	735 mm (28.9 in)
W WIDTH	460 mm (18.1 in)	560 mm (22 in)	640 mm (25.2 in)
DIAMETER	1205 mm (47.4 in)	1205 mm (47.4 in)	1205 mm (47.4 in)
RECOMMENDED CARRIER SIZE	4 - 12 t (8818 - 26 455 lb)	4 - 12 t (8818 - 26 455 lb)	4 - 12 t (8818 - 26 455 lb)

## COMPACTION FORCES

MAX. VIBRATION FREQUENCY	45 Hz (2700 VPM)	45 Hz (2700 VPM)	60 Hz (3600 VPM)
MAX. CENTRIFUGAL FORCE	55 kN (12 364 lbf)	55 kN (12 364 lbf)	55 kN (12 364 lbf)
SPEC. SURFACE PRESSURE	12.6 N/cm <sup>2</sup> (18.3 psi)	10.4 N/cm <sup>2</sup> (15 psi)	9.1 N/cm <sup>2</sup> (13.2 psi)

## MISCELLANEOUS

HYDRAULIC CONNECTIONS	Forward - Return	Forward - Return	Forward - Return
REQUIRED HYDRAULIC PRESSURE	150 bar (2175.6 psi)	150 bar (2175.6 psi)	150 bar (2175.6 psi)
REQUIRED VOLUME FLOW	80 l/min (4882 in <sup>3</sup> /min)	80 l/min (4882 in <sup>3</sup> /min)	110 l/min (6712 in <sup>3</sup> /min)
MAX. RETURN PRESSURE	30 bar (435.1 psi)	30 bar (435.1 psi)	30 bar (435.1 psi)

### STANDARD EQUIPMENT

- Twin-shaft exciter with high frequency and low amplitude
- Rubber cushions protect the excavator against vibrations
- Universal adapter plate for fast changes

### OPTIONAL EQUIPMENT

- Version with mechanical rotator
- Version with hydraulic rotator

For additional product informations and services please visit:  
[www.ammann.com](http://www.ammann.com)

Materials and specification data are subject to change without notice.  
 MSS-1067-02-EN | © Ammann Group

**AMMANN**