

# APA 75/74

## ADD-ON COMPACTOR



### PLENTY OF POWER FOR BIG JOBS

The APA 75/74 Add-On Compactor features a hydraulic 360° rotating motor and is suitable for excavators in the 12- to 25-tonne class. This makes it ideal for use in widely varying site conditions including trenches and other confined working areas, and also in more open spaces where productivity is required. Depending on the excavator size, the APA 75/74 can reach a depth of up to one meter. Fill depths of more than half a meter can be compacted.

### SAFETY

- For work on steep inclines where compaction with a vibratory plate is not safe
- Trench compaction from a safe distance

### THE MACHINE THAT MATCHES

- The Add-On Compactor is compatible with all commonly used adapters
- With the Ammann fast change system, this Add-On Compactor is connected and ready to operate within a few seconds
- Available with a hydraulic rotator

### PATENTED VIBRATION LIMITATION

- The vibration limitation system channels forces away from the machine and into the ground
- High-resistance rubber shock absorbers cushion vibrations to protect the excavator and the operator

### RUGGED DESIGN

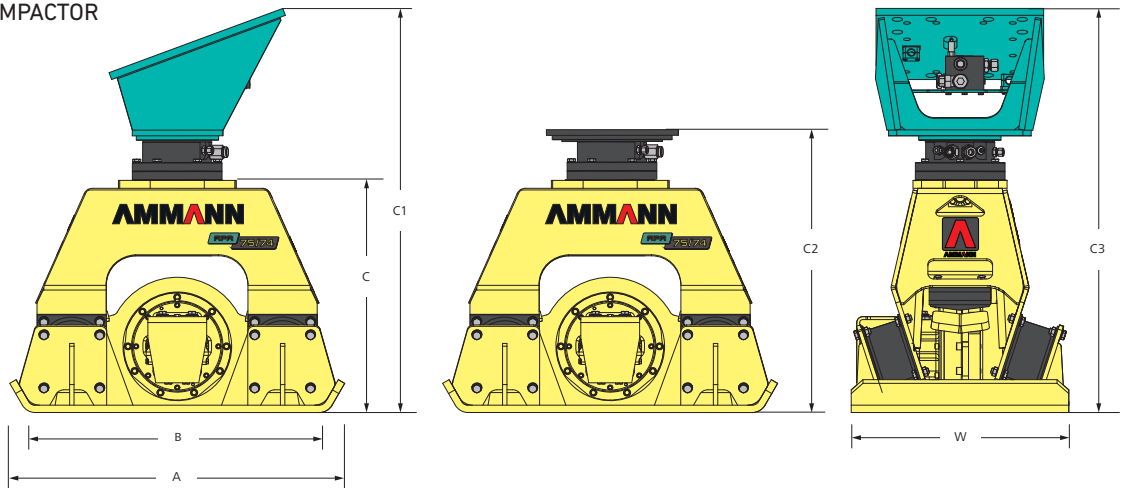
- The housing protects the central exciter unit
- Bearing bushings protect the housing against vibrations and prevent direct contact by metal surfaces under high pressure

### APPLICATIONS

- Add-On Compactor for excavators from 12- to 25-tonnes
- Pipeline construction
- Development areas
- Slope and hillside compaction
- Confined work spaces
- Shaft compaction
- Structure backfill work
- Landfill
- Track construction

**AMMANN**

TECHNICAL SPECIFICATIONS  
APA 75/74 ADD-ON COMPACTOR



## WEIGHT & DIMENSIONS

	APA 75/74
MACHINE WEIGHT	670 kg (1477 lb)
MACHINE WEIGHT (MECH.)	850 kg (1874 lb)
MACHINE WEIGHT (HYD.)	930 kg (2050 lb)
A LENGTH	1142 mm (45 in)
B BASE PLATE LENGTH	1027 mm (40.4 in)
C HEIGHT	652 mm (25.7 in)
C1 HEIGHT (MECH.)	1200 mm (47.2 in)
C2 HEIGHT (HYD.)	910 mm (35.8 in)
C3 HEIGHT (HYD+UNIV.)	1380 mm (54.3 in)
W WIDTH	740 mm (29.1 in)
DIAMETER	1320 mm (52 in)
RECOMMENDED CARRIER SIZE	12 - 25 t (26 455 - 55 116 lb)

## COMPACTION FORCES

MAX. VIBRATION FREQUENCY	36 Hz (2160 VPM)
MAX. CENTRIFUGAL FORCE	75 kN (16 186 lbf)
SPEC. SURFACE PRESSURE	9,9 N/cm <sup>2</sup> (14.3 psi)

### STANDARD EQUIPMENT

- Twin-shaft exciter with high frequency and low amplitude
- Rubber cushions protect the excavator against vibrations
- Universal adapter plate for fast changes

## MISCELLANEOUS

HYDRAULIC CONNECTIONS	Turn - Forward - Return - Leak - Turn
REQUIRED HYDRAULIC PRESSURE	250 bar (3625.9 psi)
REQUIRED VOLUME FLOW	150 l/min (9153 in <sup>3</sup> /min)
MAX. RETURN PRESSURE	10 bar (145 psi)



### OPTIONAL EQUIPMENT

- Version with hydraulic rotator
- Alternative connections for Krupp hole pattern
- Hydraulic connections for Likufix fast-change system
- Hydraulic connections for OilQuick fast change system
- Adapter plate to fit an OilQuick fast change system

For additional product information and services please visit:

[www.ammann.com](http://www.ammann.com)

Materials and specification data are subject to change without notice.

MSS-1069-04-EN | © Ammann Group

**AMMANN**