

# APF 20/50

FORWARD MOVING VIBRATORY PLATES



PETROL



DIESEL

## PACKING POWER

The APF 20/50 provides the most power in the new APF lineup. It features a working width of 500 mm (19.7 in) and centrifugal force of 20 kN. The plate's technologically advanced exciter unit is completely maintenance free. The exciter system also provides significant forward-moving power to enhance productivity in challenging materials and on steep grades. The APF 20/50 petrol version can be equipped with either a Honda, Vanguard or Rato engine. The APF 20/50 Hatz combines all the benefits of other Ammann plates with a diesel engine that makes fueling at the jobsite more convenient. The diesel engine provides engine power of 3.2 kW (4.3 HP) and also excels in higher altitudes.

## SIMPLE OPERATION

- Operator safety with low HAV levels on the handle
- Machine frame that enables secure grip
- Great maneuverability boosts accuracy and makes work simple

## POWERFUL COMPACTOR

- Generously sized, powerful exciter unit
- Leading compaction power, speed, climbing ability and machine life
- Compact dimensions allow use on sites with limited space

## READY FOR RENTAL

- Low cost upkeep for owners
- Good match for many applications
- Easy for new users to operate

## SERVICEABILITY

- Maintenance-free exciter system
- Full engine protection frame
- Toolless daily maintenance

## VERSATILE OPTIONS

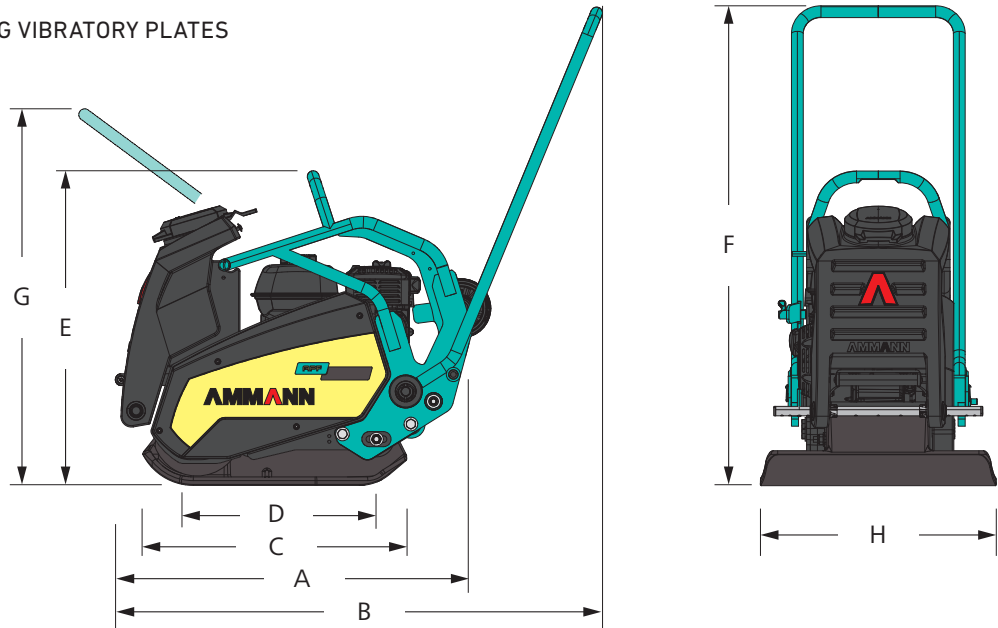
- Toolless mountable water tank and sprinkler system
- Toolless mountable rubber mats to change onto paving stones
- Permanently mounted transport wheels ensure easy relocation of the machine on site

## APPLICATIONS

- Compaction in confined areas
- Asphalt and paving applications
- Light to medium patchwork
- Pipeline and trench construction
- Landscaping and gardening
- Earthwork

**AMMANN**

TECHNICAL SPECIFICATIONS  
APF 20/50 FORWARD MOVING VIBRATORY PLATES



### DIMENSIONS & WEIGHTS

	Honda / Vanguard / Rato	Hatz
MACHINE WEIGHT	88 kg (194 lb)	106 kg (234 lb)
MACHINE WEIGHT (INCL. OPTIONAL SPRINKLER & WHEELS)	97 kg (214 lb)	115 kg (254 lb)
A MACHINE LENGTH	700 mm (27.6 in)	700 mm (27.6 in)
B MACHINE LENGTH WITH HANDLE	1020 mm (40.2 in)	1020 mm (40.2 in)
C BASE PLATE LENGTH	559 mm (22 in)	559 mm (22 in)
D GROUND CONTACT LENGTH	352 mm (13.9 in)	352 mm (13.9 in)
E MACHINE HEIGHT	667 mm (26.3 in)	674 mm (26.5 in)
F WITH HANDLE (WORK)	976 mm (38.4 in)	976 mm (38.4 in)
G WITH HANDLE (TRANSPORT)	736/*960 mm (29/*37.8 in)	736 mm (29 in)
H MACHINE WIDTH	500 mm (19.7 in)	500 mm (19.7 in)

### COMPACTION FORCES

	Honda / Vanguard / Rato	Hatz
MAX. VIBRATION FREQUENCY	90 Hz (5400 vpm)	90 Hz (5400 vpm)
MAX. CENTRIFUGAL FORCE	20 kN (4496 lbf)	20 kN (4496 lbf)
WORKING SURFACE	930 m <sup>2</sup> /h (10 010 ft <sup>2</sup> /h)	990 m <sup>2</sup> /h (10 656 ft <sup>2</sup> /h)
SPEC. SURFACE PRESSURE	11.4 N/cm <sup>2</sup> (16.5 psi)	11.4 N/cm <sup>2</sup> (16.5 psi)

\*Vanguard & Rato

### ENGINE

	Fuel	Engine Output at RPM
HONDA GX 160	Petrol	3.4 kW (4.6 HP) @3250
VANGUARD 160	Petrol	3.5 kW (4.7 HP) @3250
RATO R180	Petrol	3.8 kW (5.1 HP) @3250
HATZ 1B20	Diesel	3.2 kW (4.3 HP) @3250

### MISCELLANEOUS

	Honda / Vanguard / Rato	Hatz
HAND-ARM VIBRATION ON HANDLE	3.1 m/s <sup>2</sup>	<2.5 m/s <sup>2</sup>
MAX. GRADEABILITY	0–31 m/min (0–101.7 ft/min)	0–33 m/min (0–108.3 ft/min)
MAX. GRADEABILITY	30 %	30 %
MAX. INCLINE	20°	20°

### OPTIONS

	Honda / Vanguard / Rato	Hatz
RUBBER MAT	x	x
TRANSPORT WHEELS	x	x
WATER SPRINKLER SYSTEM	12 l (3.2 gal)	12 l (3.2 gal)
HOURLY METER	x	x

### HIGHLIGHTS

- Low-vibration handle for operator safety and comfort
- Maintenance-free exciter system
- Self cleaning and wear resistant base plate
- Engine frame for protection on the jobsite and during transport
- Transport wheels, which can be dropped with a foot release, for increased mobility on the jobsite