

APR 40/60

REVERSIBLE VIBRATORY PLATE



PUTTING BLOCKS IN THEIR PLACE

The APR 40/60 has good capabilities with a working width of 600 mm (23.6 in). It is often the vibratory plate of choice for contractors working with pavement blocks with thicknesses up to 10 cm (3.9 in). An optional available, toolless mountable rubber mat helps prevent damage during the compaction process. When working on other surfaces and in other applications, the APR 40/60 showcases operator friendly features and performance characteristics of all Ammann Vibratory Plate Compactors.

PRODUCTIVITY

Superior compaction performance

Powerful vibratory system generates high compaction forces for fast, comprehensive compaction.

Unmatched speed

Balanced base plate enables superior mobility and high working speed.

Hydrostatic steering control

Provides simple control and high accuracy even in confined areas.

ERGONOMICS

Low-vibration guide handle

Industry-leading HAV values below 2.5 m/sec² (8.2 ft/sec²) protect operator and eliminate need for time-consuming record keeping.

Convenient guide handle

Ergonomically optimised for ideal machine control during the working shift.

Secure transport

Machine is easily secured during transport for convenience and safety.

SERVICEABILITY

Toolless daily inspection

Quick and easy daily inspection.

Simplified maintenance work

Service and regular maintenance points are quick and easily accessible.

Protective frame and covers

Protects all key components against damage on the jobsite or during transport.

APPLICATIONS

- Earthwork and paving applications
- Road and rail track construction
- Compaction work in narrow trenches, confined areas
- Landscape and gardening
- Foundation work
- Sensitive surfaces (with optional rubber mats for stone protection)

AMMANN

TECHNICAL SPECIFICATIONS
APR 40/60 REVERSIBLE VIBRATORY PLATE

WEIGHT & DIMENSIONS

	PETROL	DIESEL
MACHINE WEIGHT	263 kg (580 lb)	269 kg (593 lb)
MACHINE WEIGHT (WITH OPTIONS)	–	284 kg (626 lb)
A BASE PLATE LENGTH	410 mm (16.1 in)	410 mm (16.1 in)
B MACHINE LENGTH	860 mm (33.9 in)	860 mm (33.9 in)
C WITH HANDLE	1364 mm (53.7 in)	1364 mm (53.7 in)
D MACHINE HEIGHT	780 mm (30.7 in)	810 mm (31.9 in)
E HANDLE HEIGHT (WORK)	1000 mm (39.4 in)	1000 mm (39.4 in)
F HANDLE HEIGHT (TRANSPORT)	1180 mm (46.5 in)	1180 mm (46.5 in)
G MACHINE WIDTH	600 mm (23.6 in)	600 mm (23.6 in)

ENGINE

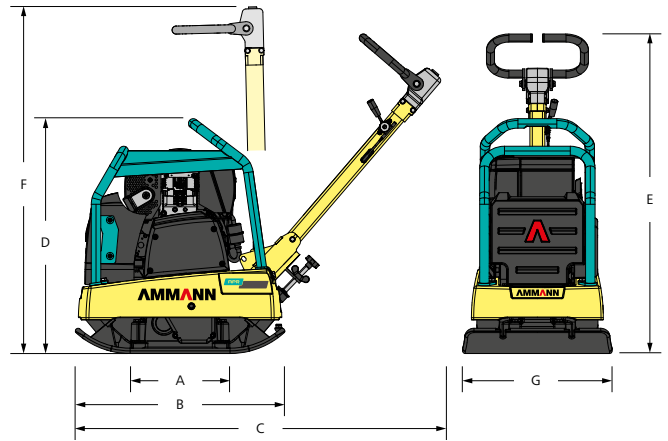
ENGINE	Honda GX 270	Hatz 1B30
FUEL	Petrol	Diesel
ENGINE OUTPUT AT RPM	6.0 kW / 8.0 HP 3100	4.5 kW / 6.0 HP 2900
FUEL CONSUMPTION	2.1 l/h (0.6 gal/h)	1.3 l/h (0.3 gal/h)

COMPACTION FORCES

MAX. VIBRATION FREQUENCY	65 Hz (3900 vpm)	65 Hz (3900 vpm)
MAX. CENTRIFUGAL FORCE	42 kN (9442 lbf)	42 kN (9442 lbf)
WORKING SURFACE	1044 m ² /h (11 238 ft ² /h)	900 m ² /h (9688 ft ² /h)
SPEC. SURFACE PRESSURE	17,1 N/cm ² (24,8 psi)	17,1 N/cm ² (24,8 psi)
AMPLITUDE	2.5 mm (0.1 in)	2.5 mm (0.1 in)

MISCELLANEOUS

HAND-ARM VIBRATIONS	< 2.5m/sec ² (8.2 ft/sec ²)	< 2.5m/sec ² (8.2 ft/sec ²)
SPEED	29 m/min (95 ft/min)	25m/min (82 ft/min)
FUEL TANK	5.3 l (1.4 gal)	5.0 l (1.3 gal)
GRADEABILITY	35%	35%
MAX. INCLINE TO ALL SIDES	20°	30°



STANDARD EQUIPMENT

- Sturdy protection frame with central lifting point
- Vibration isolated handle bar
- Powerful and reliable diesel engine
- 2-shaft exciter with long service intervals
- Well protected, sturdy centrifugal clutch with wear resistant V-Belt
- 3 year extended warranty program

OPTIONAL EQUIPMENT

- Toolless mountable rubber mat for applications on paving stones
- Hour meter
- e-Start (only on Diesel machines)