

ACR 70 D

RAMMER



DIESEL-POWERED COMPACTION

The ACR 70 D provides with 83 kg (183 lb) the most rammer weight within the Ammann range. It utilises a Yanmar L48 diesel engine that is popular with contractors who are seeking to have light equipment with diesel engines and of course want power, too. The rammer features a vibration-isolated handle that helps fight fatigue and keep the operator focused throughout a shift. The added weight combined with the low centre of gravity provide plenty of compaction pop on site.

ROBUST DIESEL RAMMER

- Highly robust components keep the ACR 70 D running even under toughest conditions.
- Only one fuel required at the jobsite
- Diesel engine performs also in high altitude

USER FRIENDLY HANDLE

- Vibration isolated handle to ease operation and reduce fatigue while working.
- Can be gripped from all sides, providing easy access in tight spaces.
- Enables machine to be turned 180° to reach tight areas while maintaining control.

THE SHOE FITS

- Standard 280 mm (11 in) foot
- Wear-resistant ramming shoe made with integrated steel plate.
- Three foot sizes are optional available.
- Removal of only 4 screws required when switching shoes.

EASY TO TRANSPORT

- Rolls on the handle enable easy loading of the machine onto truck beds.
- Additional transportwheels are available for secure and simple transport.

APPLICATIONS

- Trench compaction
- Back filling
- Pipe work
- Foundation work
- Patch work on roads
- Confined areas

AMMANN

TECHNICAL SPECIFICATIONS
ACR 70 D RAMMER

WEIGHT & DIMENSIONS

MACHINE WEIGHT	83 kg (183 lb)
A FOOT LENGTH	340 mm (13.4 in)
B FOOT WIDTH	280 mm (11 in)
C HANDLE LENGTH	770 mm (30.3 in)
D MACHINE HEIGHT	980 mm (38.6 in)
E HANDLE WIDTH	360 mm (14.2 in)

ENGINE

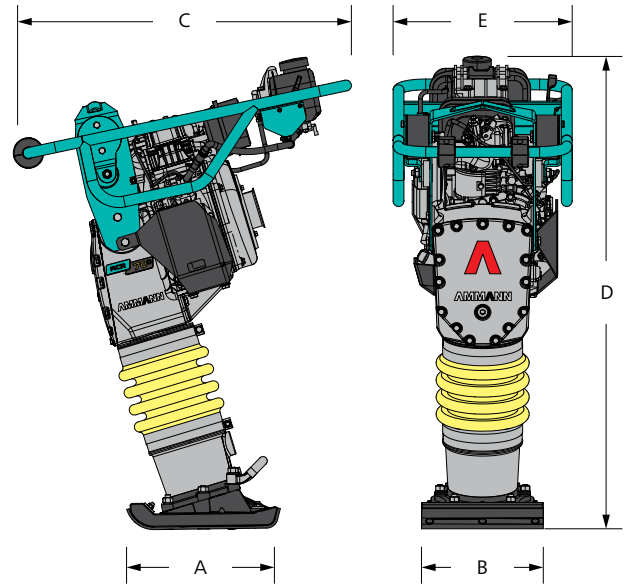
ENGINE	Yanmar L48 AE
FUEL	Diesel
ENGINE OUTPUT	4.3 HP / 3.2 kW
AT RPM	3250

COMPACTION FORCES

PERCUSSION RATE	730 bpm
STROKE HEIGHT	60 mm (2.4 in)
CENTRIFUGAL FORCE	16 kN (3.1 lbf)
SURFACE CAPACITY	210 m ² /h (2260 ft ² /h)
MAX. COMPACTION PERFORMANCE (DEPENDING ON GROUND CONDITIONS)	60 cm (23.6 in)

MISCELLANEOUS

FUEL TANK CAPACITY	2.5 l (0.7 gal)
TRAVEL SPEED	12 m / min (0.5 mph)
OPTIONAL FOOT SIZES WIDTH	230–330 mm (9.1–13 in)



STANDARD EQUIPMENT

- Vibration isolated guide handle
- Oil alert system with LED indicator
- Large fuel tank
- High quality, wear resistant 280 mm base plate
- Yanmar engine with reliable starter
- Convenient rolls for easy loading and unloading

OPTIONAL EQUIPMENT

- Two different sized foot plates available at 230 mm and 330 mm
- Transport wheels